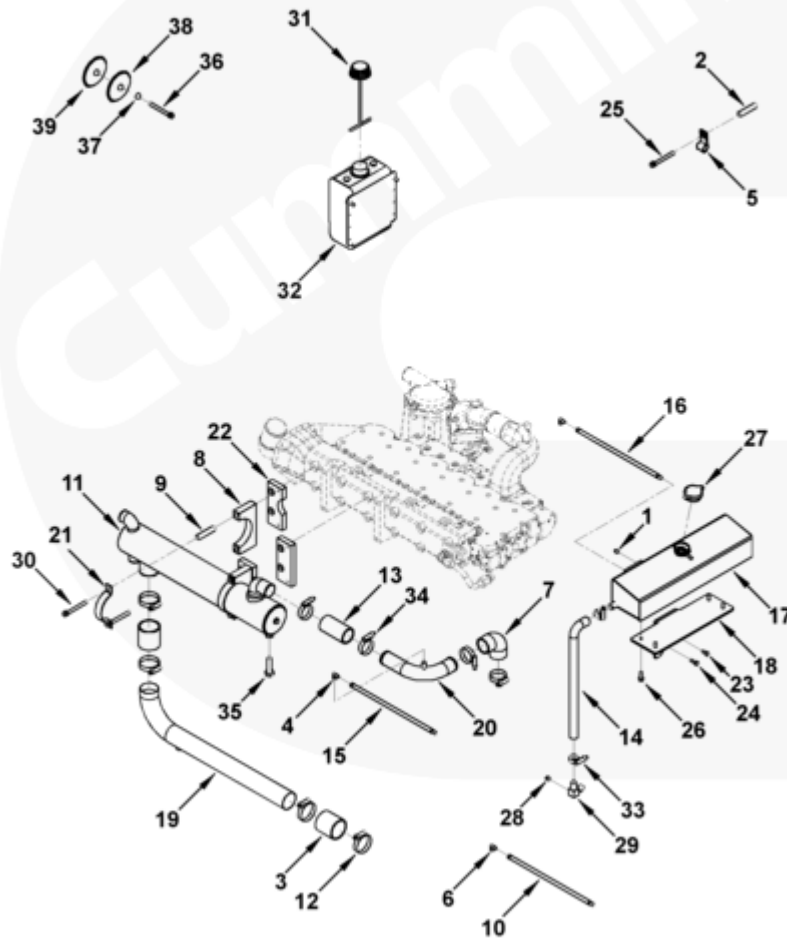




Parts Catalog - Option Detail

Electronic Parts Catalog - Option Detail				
Option	Group	Graphic	Film Card	Date
HX9052	08.10	hx951gm	T	02-AUG-96
Engines	4B3.9, 6A3.4, 6B5.9, B GAS INTERNATIONAL CM556, B4.5, B4.5 CM2350 B129B, B4.5 CM2350 B146C, B4.5 CM2350 B147B, B4.5 RGT, B4.5S, B5.9 G, B5.9 GAS PLUS CM556, B5.9 LPG, B5.9 LPG PLUS CM556, B6.7 CM2350 B121B, B6.7 CM2350 B135B, B6.7 CM2350 B136C, B6.7 CM2350 B148B, B6.7 G CMOH6.0 B125, B6.7N CM2380 B150B, B6.7S, F3.8 CM2350 F120B, F3.8 CM2350 F128C, F3.8 CM2350 F132B, F3.8 F102, G3.9, G5.9, G5.9 CM558, ISB (CHRYSLER), ISB CM2150, ISB CM2150 E, ISB CM550, ISB CM850, ISB/ISD4.5 CM2150 B119, ISB/ISD4.5 CM2150 SN, ISB/ISD6.7 CM2150 B120, ISB/ISD6.7 CM2150 SN, ISB/ISD6.7 CM2880 B126, ISB3.9 CM2220 B107, ISB4.5 CM2150, ISB5.9G CM2180, ISB6.7 2010 DCX PICKUP, ISB6.7 2013 DCX CHASSIS CAB, ISB6.7 CM2150 SQ, ISB6.7 CM2250, ISB6.7 CM2350 B101, ISB6.7 CM2350 B103, ISB6.7 CM2350 B142, ISB6.7 CM2670 B153B, ISB6.7 G CM2180 B118, ISBE CM2150, ISBE CM800, ISBE2/ISBE3 CM850, ISBE4 CM850, ISD4.5 CM2150, ISD6.7 CM2880 D101, ISF2.8 CM2220, ISF2.8 CM2220 AN, ISF2.8 CM2220 EC, ISF2.8 CM2220 ECF2, ISF2.8 CM2220 F101, ISF2.8 CM2220 F117, ISF2.8 CM2220 F122, ISF2.8 CM2220 F126, ISF2.8 CM2220 F129, ISF2.8 CM2220 IAN, ISF3.8 CM2220, ISF3.8 CM2220 AN, ISF3.8 CM2220 F103, ISF3.8 CM2220 F110, ISF3.8 CM2220 F116, ISF3.8 CM2220 F134B, ISF3.8 CM2220 IAN, ISF3.8 CM2350 F109, ISF4.5 CM2220 F123, ISG11 CM2880 G106, ISG11 CM2880 G108, ISG12 CM2880 G107, ISG12 CM2880 G109, ISG12 G CMOH6.0 G111, QSB3.9 30 CM550, QSB3.9 CM2880 B138, QSB4.5 30 CM550, QSB4.5 CM2150 B108, QSB4.5 CM2250 B131, QSB4.5 CM2250 EC, QSB4.5 CM2350 B106, QSB4.5 CM2350 B122			



hx951gm

SMALL | MEDIUM | LARGE

Cart	Ref No	Part Number	Part Description	Required	Remarks
View My Cart					
		HX9052	Heat Exchanger		Heat Exchanger...(More)
					Turbocharger Location: Rear
					Low Profile
					Application: Marine
					Exchangers Coolant Source:
					Sea Water
					Engine Cylinders: 6
					Parts Provided In A Kit: No
					Exhaust Manifold Location:

					Rear
					Plumbed To Water Inlet: Yes
					Coolant Package Type: Water -
					Water
					Max Water Inlet Temp Degrees
					F.: Unknown
					HX9052 to be Used With Hurth
					V Drives Because of Slight
					Front Down Installation
					Angle of Engine in Certain
					Applications.
<input type="checkbox"/>	1	S 949 B	Pipe Plug	2	1/8 NPT
<input type="checkbox"/>	2	62906 B	Mounting Spacer	1	
<input type="checkbox"/>	3	63549	Plain Hose	2	
<input type="checkbox"/>	4	68139	Male Adapter Elbow	2	1/8 NPTF X 7/16 - 20 (90).
<input type="checkbox"/>	5	108722	Clip	1	
<input type="checkbox"/>	6	112105	Male Adapter Elbow	1	
<input type="checkbox"/>	7	176743	Elbow Hose	1	
<input type="checkbox"/>		3281793	Vibration Isolator	2	
	8	3281791	Vibration Isolator	1	
	9	3281792	Mounting Spacer	1	
<input type="checkbox"/>	10	3866597	Flexible Hose	1	
<input type="checkbox"/>	11	3866719	Heat Exchanger	1	
<input type="checkbox"/>	12	3922849	Hose Clamp	4	
<input type="checkbox"/>	13	3924839	Plain Hose	1	
<input type="checkbox"/>	14	3924849	Plain Hose	1	
<input type="checkbox"/>	15	3924923	Flexible Hose	1	
<input type="checkbox"/>	16	3924924	Flexible Hose	1	
<input type="checkbox"/>	17	3866789	Expansion Tank	1	

<input type="checkbox"/>	18	3866790	Expansion Tank Bracket	1	
<input type="checkbox"/>	19	3897156	Water Transfer Tube	1	
<input type="checkbox"/>	20	3897157	Water Transfer Tube	1	
<input type="checkbox"/>	21	3897158	Retaining Clamp	2	
<input type="checkbox"/>	22	3897169	Heat Exchanger Bracket	2	
<input type="checkbox"/>	23	3900630	Hexagon Flange Head Cap Screw	2	M8 X 1.25 X 20
<input type="checkbox"/>	24	3900631	Hexagon Flange Head Cap Screw	1	M8 X 1.25 X 25.
<input type="checkbox"/>	25	3900634	Hexagon Flange Head Cap Screw	1	M10 X 1.50 X 50.
<input type="checkbox"/>	26	3902460	Hexagon Flange Head Cap Screw	6	M10 X 1.50 X 25.
<input type="checkbox"/>	27	3907022	Filler Cap	1	
		3908225	Hose Coupling	1	
<input type="checkbox"/>	28	3906619	Pipe Plug	1	1/8 NPT.
<input type="checkbox"/>	29	3908221	Elbow Hose Coupling	1	
<input type="checkbox"/>	30	3908226	Hexagon Flange Head Cap Screw	4	M10 X 1.50 X 95.
<input type="checkbox"/>		3922500	Coolant Recovery Reservoir	1	
<input type="checkbox"/>	31	3921339	Expansion Tank Cap	1	
	32	3921480	Coolant Recovery Reservoir	1	
<input type="checkbox"/>	33	3922841	Hose Clamp	2	
<input type="checkbox"/>	34	3922846	Hose Clamp	4	
<input type="checkbox"/>	35	68241	Zinc Electrode Plug	1	1/2 NPTF X 2"
<input type="checkbox"/>	36	3910345	Hexagon Head Cap Screw	2	M8 X 1.25 X 25
<input type="checkbox"/>	37	3910556	Sealing Washer	2	M9
<input type="checkbox"/>	38	3910344	Heat Exchanger Cover	2	
<input type="checkbox"/>	39	3910343	Heat Exchanger Gasket	2	